

ECOTM heat transfer
coolers



CDC \varnothing 800mm
CO₂ UNIT COOLERS



Engineering a Cleaner, Healthier World

CDC $\varnothing 800$ mm CO₂ UNIT COOLERS



"From an ecological point of view, CO₂ is a superior alternative to environmentally damaging hydrofluorocarbons (HFCs), as well as being non-flammable, non-toxic and less expensive. Modine designs and manufactures CO₂ units suitable for all your application needs"

The range of CDC cubic air coolers for CO₂ systems is expanding today with models equipped with $\varnothing 800$ mm fans to better adapt to large industrial plants dedicated to the preservation of fresh and frozen products. In these applications, the use of CO₂ allows avoiding the use of large quantities of HFCs and toxic fluids such as ammonia.

The range is equipped with new high-efficiency heat exchangers, made with aluminum fins and special copper tubes. Available fin spacings are 4, 6, 8, 10, and 12 mm.

The maximum allowable operating pressure is 60 bar.

CDC employs two types of fans motors:

STANDARD

- $\varnothing 800$ mm three-phase 400V/3/50-60Hz external rotor with epoxy painted steel grid;
- protection grade: IP 54;
- class F insulation;
- internal protective thermal contact;
- operating temperature: -40 to +60 °C.

EC

- $\varnothing 800$ mm three-phase 400V/3/50-60Hz external rotor with epoxy painted steel grid;
- protection grade: IP 54;
- class B insulation;
- integrated electronic protection;
- operating temperature: -25 to +70 °C.

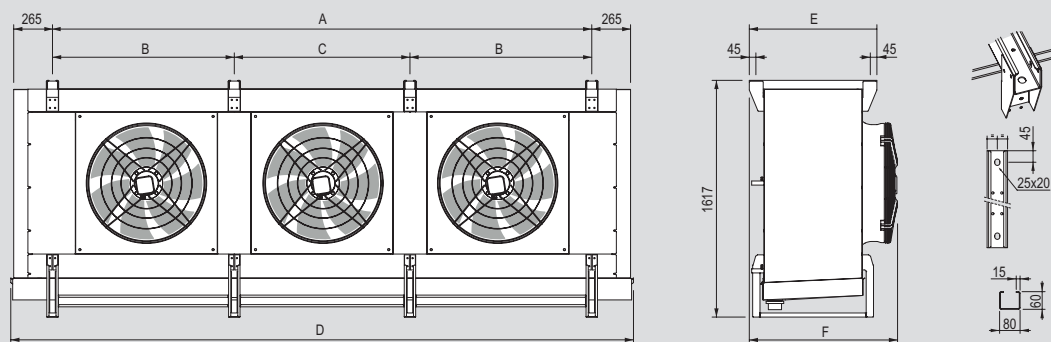
The versions with standard electric defrost (ED) are equipped with stainless steel heaters with vulcanised terminals preset for 400V/3/50-60Hz connection.

The electric parts and casing are connected to a ground terminal, the wiring of the heaters is carried out in IP 54 protection grade junction box. On request the models can be equipped with non-standard: coils, defrosting and fan motors.

For special applications and additional information, please contact our "Coolers Application Engineering" team.

Scelte
SELECTION SOFTWARE

www.modineselect.com



Number of fan motors	1	2	3	4	
Dimensions mm	A	1242	2484	3684	4884
	B	1242	1242	1242	1242
	C	-	-	1200	1200
	D	1812	3054	4254	5454
	E		871 or 1001 ¹⁾		
	F		1013 or 1143 ¹⁾		

¹⁾ depending on the number of exchanger rows

Modine Manufacturing Company

Modine CIS Italy S.r.l.
Via Giulio Locatelli, 22
33050 Pocenia (UD) Italy

©2025 Modine Manufacturing Co.



www.modinecoolers.com